

CM Ceiling Mount Technical Sheet

Sheet 1 of 3
ISSUE: 002
www.futureautomation.co.uk



FUNCTION

A high quality ceiling pole made from stainless steel and brushed aluminium.

Ideal in a domestic home.

SUITABILITY

Various adaptors available for screens from 26" to 55"

SPECIFYING

Before ordering check ceiling make up for fitting.

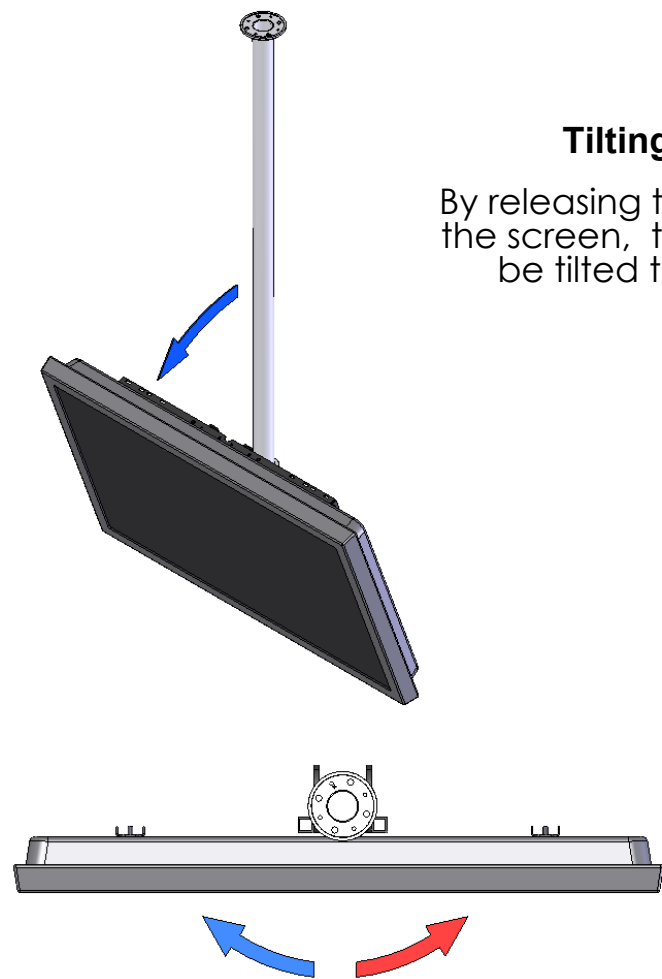
Check viewing angles for positioning.

CONTROL

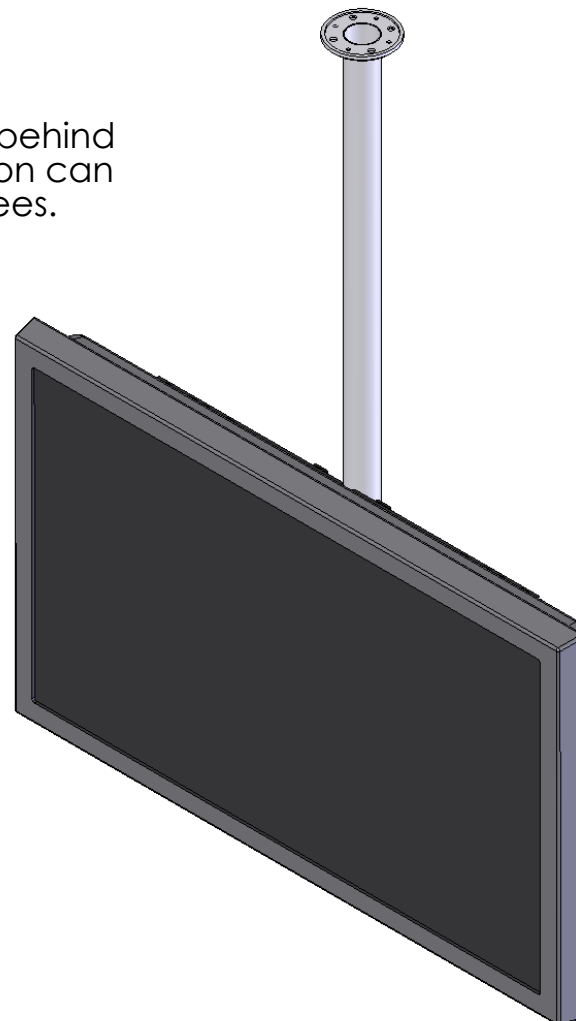
No fixings are supplied with the CM.
Consider coach screws or coach bolts

Tilting Feature

By releasing two levers behind the screen, the television can be tilted to 20 Degrees.



The CM can rotate 360°



WARNING

It is the responsibility of the installer to make sure this product is safely secured to the wall or ceiling.

ATTENTION

Technical specifications, delivery conditions, and other information are subject to change without notice.



FUTUREAUTOMATION

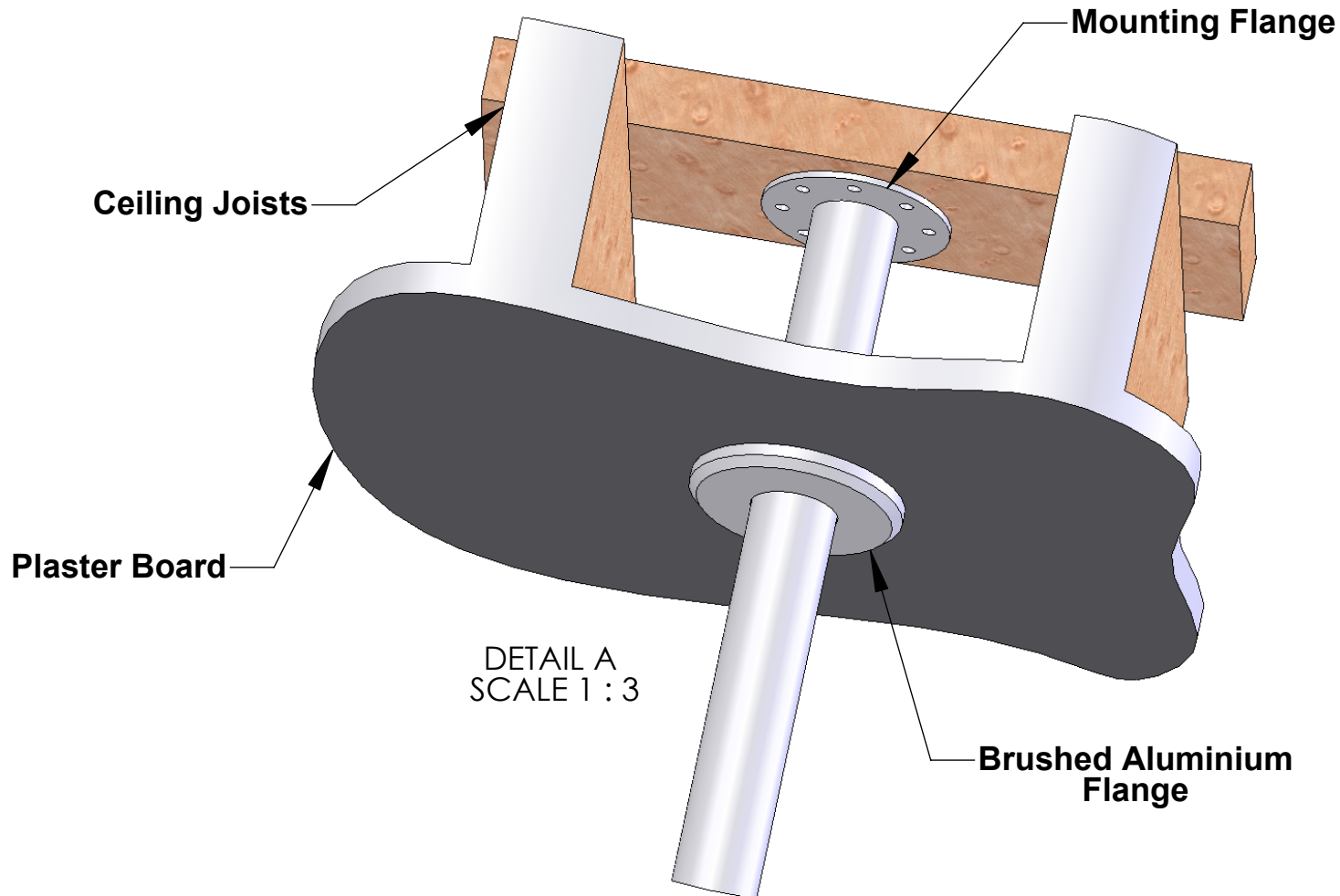


NOTES

The mounting solution to the left, shows the flange mounted to timber in the ceiling void. The aluminium flange is then fixed under the ceiling.

The mounting flange can also just be bolted straight to a solid surface. The brushed aluminium flange can then cover the mount flange and bolt heads.

Mounting Suggestion



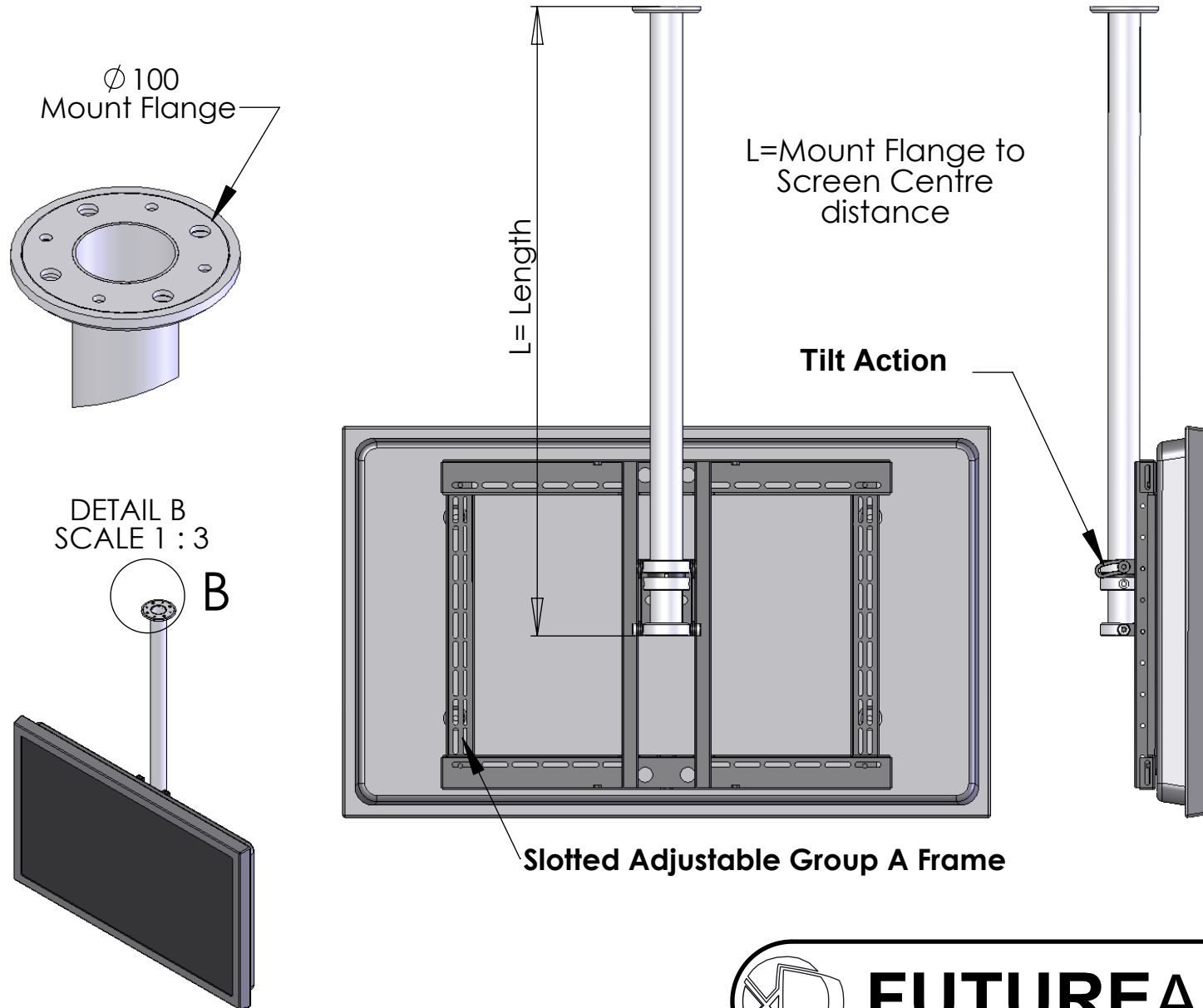


NOTES

Group A frame
shown.

Many other adaptors
available.

Dimensions



Standard Lengths

L=500mm
L=1000mm
L=1500mm

Longer custom versions
available on an increased
timescale.

Group A and C frames
can be adjusted up or
down by 100mm when
being fitted.

